

RiveTier® I

NOTE: RiveTier I is not interchangeable with RiveTier II.

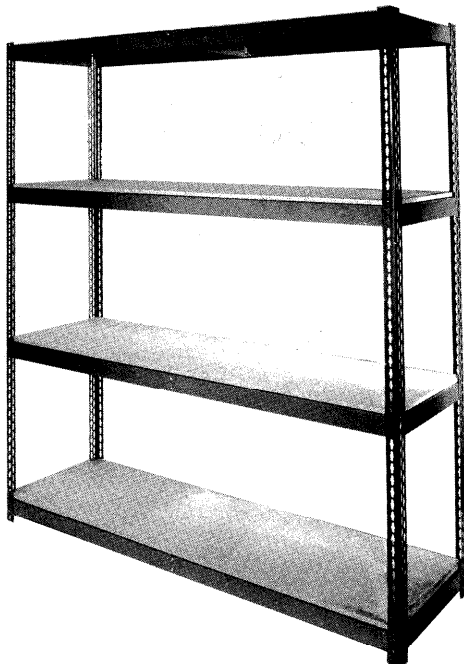
RIVETIER LONG SPAN RACKS-4 SHELF UNITS

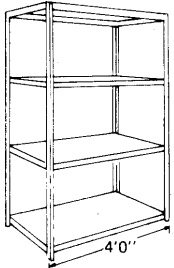
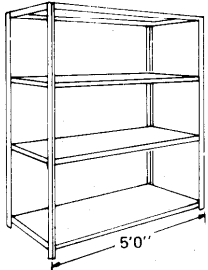
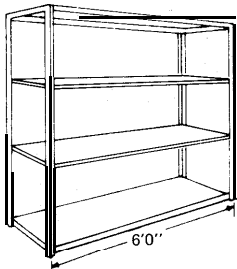
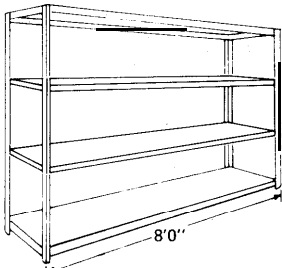
LONG SPAN SHELVING

Provide maximum use of space, high load capacity and flexibility

With uninterrupted spans up to 8 feet, RiveTier I Long Span Racks provide a simple economical solution to many storage problems. Shelf surfaces may be located at any increment of 1½" to utilize every cubic inch of available space.

- Spans up to 8 ft.
- Heights up to 15'0" without splicing
- Depths up to 4 ft.
- Vertical shelf adjustment in 1½" increments
- Supplied with 5/8" particle board decking upon request or available without decking for use with user's own lumber, plywood or metal shelving.
- No sway braces required
- 4-way entry
- Standard widths: 4, 5, 6, 8 ft.
- Standard depths: 18, 24, 30, 36, 48"
- Can be designed for Mezzanine Systems
- 96" span includes 3 STS per level



| Model No. | Size W x D x H | Wt. Cap. Ea. Shelf | |
|----------------------------------------------------------------------------------------------------------------------------------------------------------------------------------------------------------------|---------------------------------------------------------------------------------------------|-----------------------------------------------------------------------------------------------------------------|---------------------------------------------------------------------------------------|
| 07S4818-4 07S4818-4H 07S4824-4 07S4824-4H 07S4830-4 07S4830-4H 07S4836-4 07S4836-4H 07S4848-4 07S4848-4H | 48" x 18" x 84" 48" x 24" x 84" 48" x 30" x 84" 48" x 36" x 84" 48" x 48" x 84" | 1000 1800 1000 1800 1200 2000 1200 2000 1400 2400 |  |
| 07S6018-4 07S6018-4H 07S6024-4 07S6024-4H 07S6030-4 07S6030-4H 07S6036-4 07S6036-4H 07S6048-4 07S6048-4H | 60" x 18" x 84" 60" x 24" x 84" 60" x 30" x 84" 60" x 36" x 84" 60" x 48" x 84" | 800 1200 800 1200 800 1200 900 1300 900 1300 |  |
| 07S7218-4 07S7218-4H 07S7218-4HC 07S7224-4 07S7224-4H 07S7224-4HC 07S7230-4 07S7230-4H 07S7230-4HC 07S7236-4 07S7236-4H 07S7236-4HC 07S7248-4 07S7248-4H 07S7248-4HC | 72" x 18" x 84" 72" x 24" x 84" 72" x 30" x 84" 72" x 36" x 84" 72" x 48" x 84" | 600 1000 1400 600 1000 1400 600 1000 1400 600 1000 1400 700 1100 1500 |  |
| 07S9618-4H 07S9618-4HC 07S9624-4H 07S9624-4HC 07S9630-4H 07S9630-4HC 07S9636-4H 07S9636-4HC 07S9648-4H 07S9648-4HC | 96" x 18" x 84" 96" x 24" x 84" 96" x 30" x 84" 96" x 36" x 84" 96" x 48" x 84" | 500 1000 500 1000 500 1000 500 1000 500 1000 |  |

MODEL NUMBER EXPLANATION

07S7230-4HCW.

Height (feet) ———— 07
Long Span ———— 72
Width (inches) ———— 30
Depth (inches) ———— 4
No. of Shelves ———— H
Heavy Duty Option ———— C
Wood Decking Option ———— W

5/8" particle board is standard

Channel Beam Option

Left-to-right beam (LR) consists of 14 ga. channel (instead of angle) and includes one "STS" shelf tie support. 96" span requires 3 "STS"

Adds one "STS" 14 ga. tie support to each pair of 14 ga. angles (LR) 48"—72"

Add three "STS" on 96"

RiveTier capacities are static loads only. If units must conform to seismic requirements, contact factory for assistance.