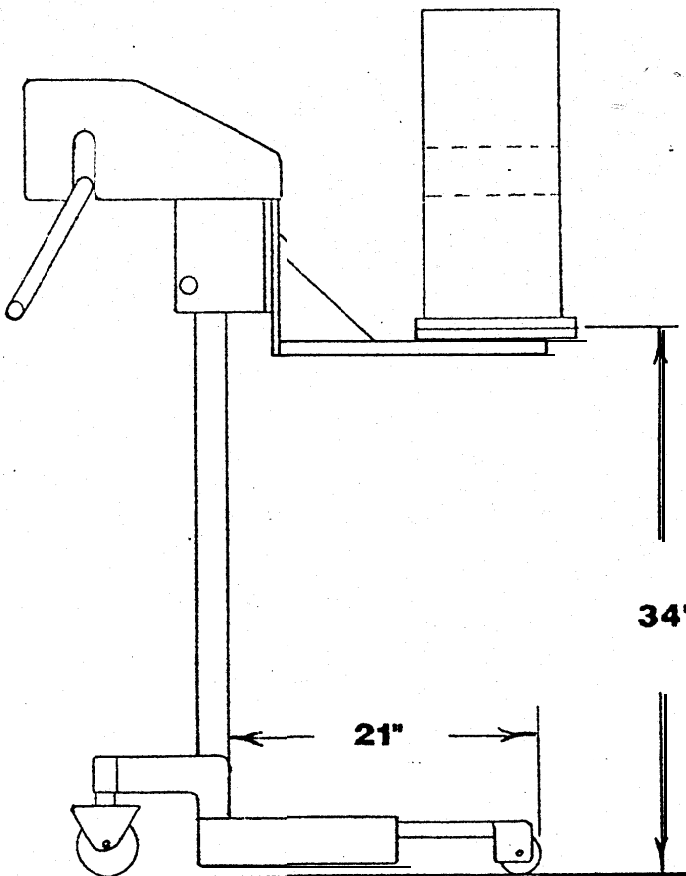
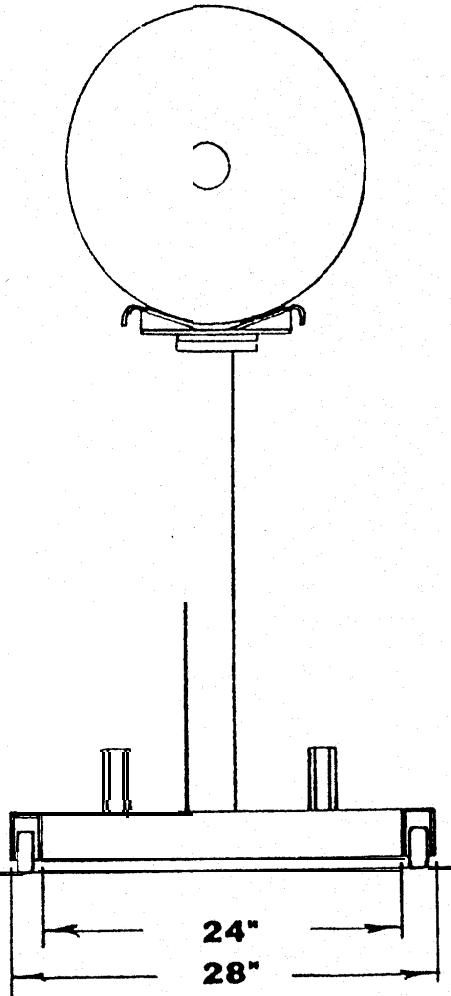


CORE LIFT BOOM (wheels retracted)



SWIVEL CRADLE (wheels extended)



SPECIFICATIONS:

Max. Lift Capacity: 400 lbs.

Over-all height: 49"

Cart Weight (no attachments): 90lbs.

Core Lift Boom w/ ejector 20 lbs.

Swivel Cradle: 40 lbs.

Indoff
 140 WEST WYND TERRACE
 MIDDLETOWN, CT 06457
 (860) 632-2026 FAX (860) 632-2028
 www.ahutton.com

AZTECH MACHINERY INC.
MODEL MH-40A lateral Handling Cart