

Air Skids

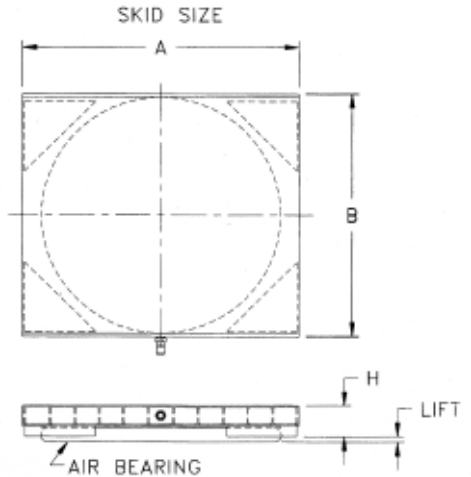
Aluminum Air Skid

Air Skids Accessories: See steel air specification sheet for accessories.



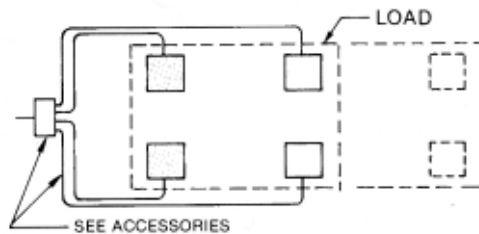
Model Number	Capacity	DIMENSIONS		Inlet Size NPT	Lift	Flow CFM M ³ /min	Bearing Number	Weight*	Price
		A x B x H							
AID-SA-1-12	2,400 lbs 1,090 kg	12½ x 12½ x 2½"		½"	¾"	3-6 .08-.16	AID-H0012	11 lbs 5kg	\$612.00
AID-SA-1-17	5,000 lbs 2,270 kg	17½ x 19½ x 2½"		¾"	½"	8-15 1.27 cm	AID-H0017	24 lbs 11 kg	\$843.00
AID-SA-1-20	7,500 lbs 3,400 kg	20½ x 21 x 2½"		¾"	¾"	12-20 1.58 cm	AID-H0020	28 lbs 13 kg	\$912.00
AID-SA-1-24	10,000 lbs 4,540 kg	25½ x 25½ x 2½"		¾"	¾"	15-25 .42-.70 cm	AID-H0024	50 lbs 23 kg	\$1,404.00
AID-SA-1-30	15,000 lbs 6,800 kg	30 x 30 x 2½"		¾"	1"	20-35 2.54 cm	AID-H0030	65 lbs 30kg	\$1,702.00
AID-SA-1-36	24,000 lbs 10,890 kg	36½ x 37½ x 2½"		¾"	1½"	25-40 3.175 cm	AID-H0036	95 lbs 43 kg	\$2,435.00
AID-SA-1-48	40,000 lbs 18,145 kg	48 x 48 x 2½"		¾"	1½"	40-50 1.1-1.4	AID-H0048	145 lbs 66 kg	\$3,876.00

*Four and six light weight aluminum air skid sets are available. See price list.



TYPICAL ARRANGEMENT

Load should contact the skid's full length and width to minimize bending. The high performance air bearings are not tray mounted.



Load Skid System

Each Load Skid System includes four (SA-4-XX) or six (SA-6-XX), aluminum single bearing or four (SS-4-XX), or six (SS-6-XX) steel single bearing air skids plus an appropriate CP control package console including on/off valve, pressure regulator, flow control valves. Includes 16 feet of hose with quick disconnect for each skid. Does not include main supply hose.

Aluminum Four Skid System

Model Number	Capacity	Weight	Price
AID-SA-4-12	9,700 lbs 4,400 kg	44 lbs 20 kg	\$3,202.00
AID-SA-4-17	20,000 lbs 9,100 kg	96 lbs 44 kg	\$4,126.00
AID-SA-4-20	30,000 lbs 13,600 kg	112 lbs 51 kg	\$4,402.00
AID-SA-4-24	40,000 lbs 18,150 kg	200 lbs 91 kg	\$6,499.00
AID-SA-4-30	60,000 lbs 27,200 kg	260 lbs 118 kg	\$7,691.00
AID-SA-4-36	96,000 lbs 43,500 kg	380 lbs 172 kg	\$10,878.00
AID-SA-4-48	160,000 lbs 72,600 kg	580 lbs 263 kg	\$16,642.00

Aluminum Six Skid System

Model Number	Capacity	Weight	Price
AID-SA-6-12	14,400 lbs 6,550 kg	66 lbs 30 kg	\$4,746.00
AID-SA-6-17	30,000 lbs 13,600 kg	144 lbs 65 kg	\$6,132.00
AID-SA-6-20	45,000 lbs 20,400 kg	168 lbs 76 kg	\$6,546.00
AID-SA-6-24	60,000 lbs 27,225 kg	300 lbs 136 kg	\$9,644.00
AID-SA-6-30	90,000 lbs 40,825 kg	390 lbs 177 kg	\$11,432.00
AID-SA-6-36	144,000 lbs 65,320 kg	570 lbs 259 kg	\$16,118.00
AID-SA-6-48	240,000 lbs 108,860 kg	870 lbs 395 kg	\$24,764.00

Steel Four Skid System

Model Number	Capacity	Weight	Price
AID-SS-4-12	9,700 lbs 4,400 kg	80 lbs 36 kg	\$2,490.00
AID-SS-4-17	20,000 lbs 9,100 kg	160 lbs 73 kg	\$3,134.00
AID-SS-4-20	30,000 lbs 13,600 kg	240 lbs 109 kg	\$4,130.00
AID-SS-4-24	40,000 lbs 18,150 kg	320 lbs 145 kg	\$4,730.00
AID-SS-4-30	60,000 lbs 27,200 kg	440 lbs 200 kg	\$6,375.00
AID-SS-4-36	96,000 lbs 43,500 kg	700 lbs 318 kg	\$8,830.00
AID-SS-4-48	160,000 lbs 72,600 kg	2,060 lbs 935 kg	\$12,274.00

Steel Six Skid System

Model Number	Capacity	Weight	Price
AID-SS-6-12	14,400 lbs 6,550 kg	120 lbs 54 kg	\$3,678.00
AID-SS-6-17	30,000 lbs 13,600 kg	240 lbs 109 kg	\$4,644.00
AID-SS-6-20	45,000 lbs 20,400 kg	360 lbs 163 kg	\$5,658.00
AID-SS-6-24	60,000 lbs 27,225 kg	480 lbs 145 kg	\$6,530.00
AID-SS-6-30	90,000 lbs 40,825 kg	660 lbs 300 kg	\$9,458.00
AID-SS-6-36	144,000 lbs 65,320 kg	1,050 lbs 476 kg	\$13,046.00
AID-SS-6-48	240,000 lbs 108,860 kg	3,090 lbs 1,402 kg	\$18,212.00

Accessories for Single Bearing Air Skids-Pendant Control

The "Dead Man" type Pendant Control mounts to the control console and is complete with 10 feet of control line. Press and the air is on; release and the air shuts off.

Model Number	Weight	For Control Package	Price
AID-PC-1	5 lbs (2.3kg)	AID-CP-1	\$544.00
AID-PC-2	10 lbs (4.5 kg)	AID-CP-2	\$627.00
AID-PC-3	15 lbs (6.8 kg)	AID-CP-3	\$704.00