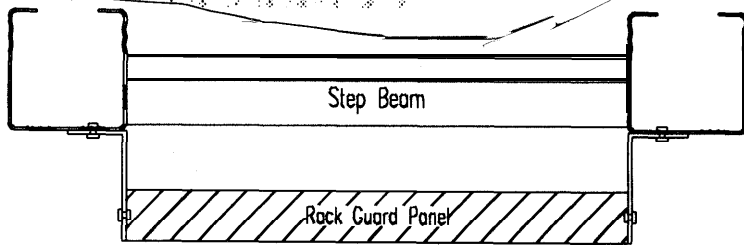


Indoff

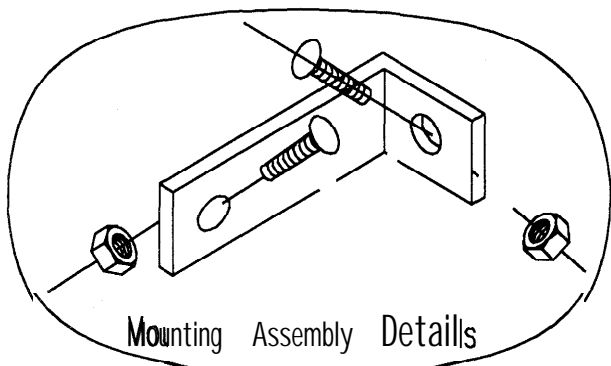
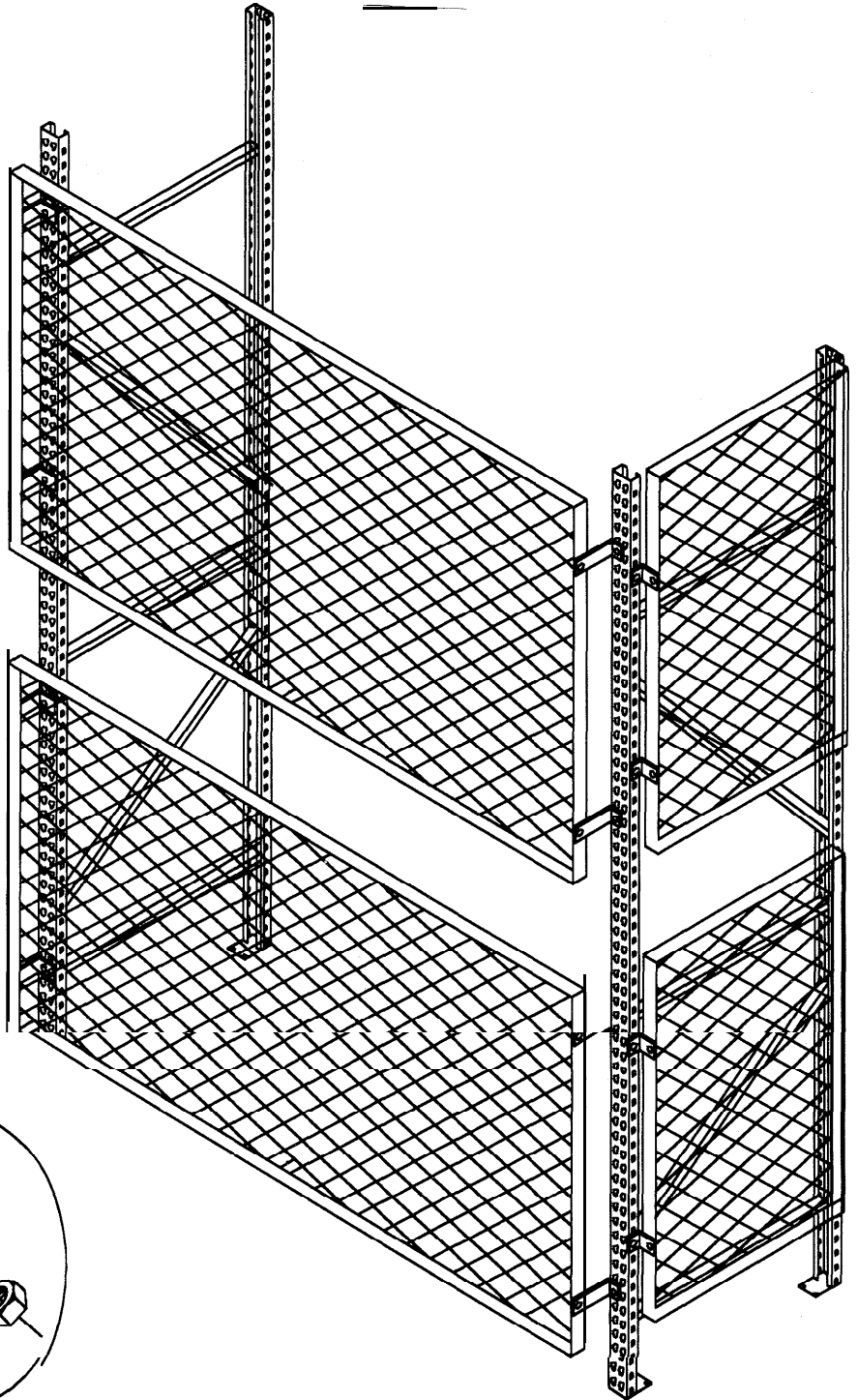
www.mh-partners.com
sales@mh-partners.com



Rack Guard

Specifications:

1. Rack Guard brackets, bolts and nuts required with each panel.
2. One Panel required for each Rack Bay (Panel is same length as Beam)
3. Construction--1 1/2" diamond wire mesh, welded in 1 1/4 x 1 1/4 x 1/8 angle frame.
4. Bolts: 1 "x5/16 6" carriage
5. See inset for assembly



Mounting Assembly Details